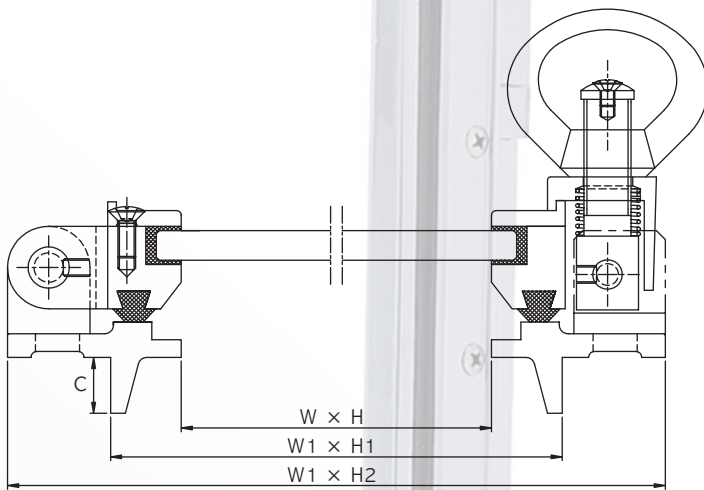


RECTANGULAR WINDOW

1

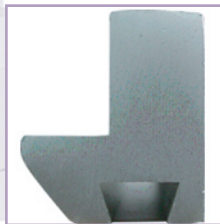
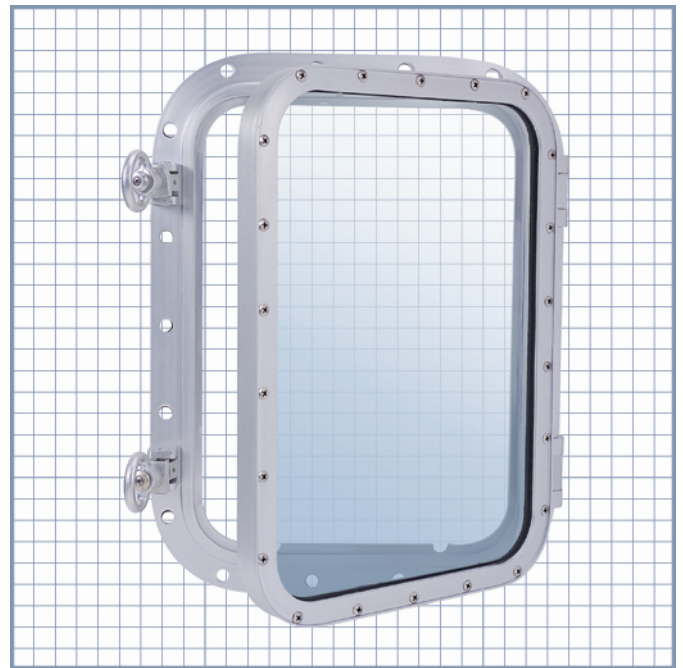
Opening Bolted Rectangular Window



UNIT:mm

DIMENSION TABLE

Nominal Size	W1 × H1	W2 × H2	C
W × H	(W+48) × (H+48)	(W+118) × (H+118)	19,25



Standard Material
Method of fitting
Type
Glass
Accessories

ISO, BSMA & JIS
 Alum-alloy, Brass
 Bolted
 Opening
 Toughened, Heated, Double glazed, Laminated, etc.
 Window box, Insect screen, Sun screen, Roller blind, Stay hook, etc.

