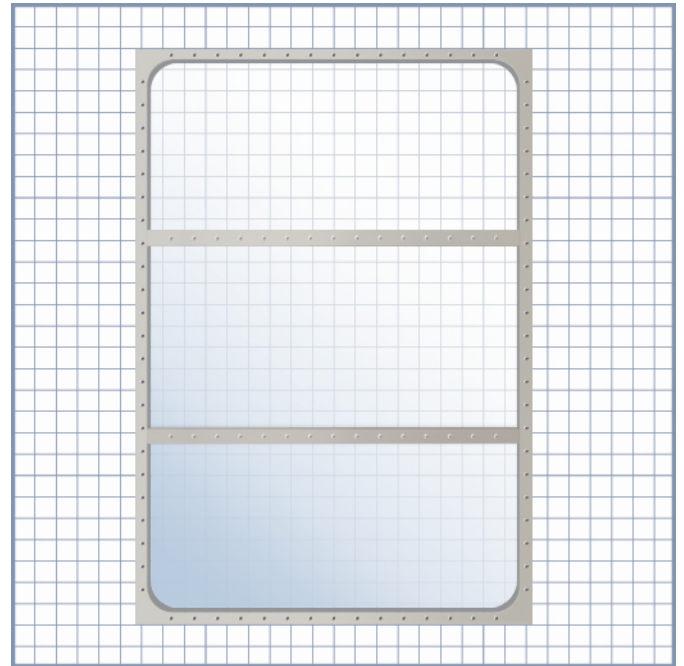
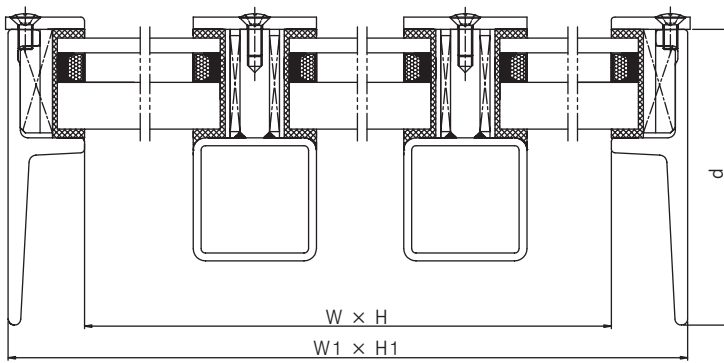


# RECTANGULAR WINDOW

1

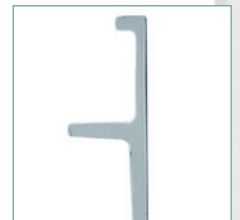
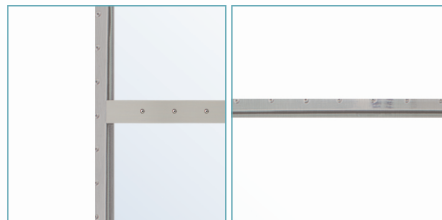
## Non-Opening Rectangular Window With 3-Panels



UNIT:mm

**DIMENSION TABLE**

Nominal Size	W1 x H1	d
W x H	(W+62) x (H+62)	120



**Standard**  
**Material**  
**Method of fitting**  
**Type**  
**Glass**  
**Accessories**

ISO, BSMA & JIS  
 Extruded steel main frame / Sus glass retaining frame  
 Welded  
 Non-opening  
 Toughened, Heated, Double glazed, Laminated, etc.  
 Roller blind, etc.

