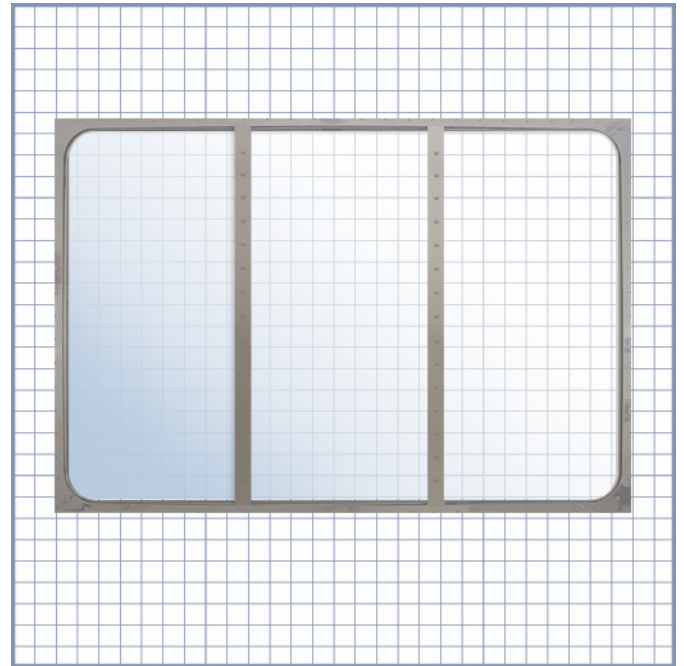
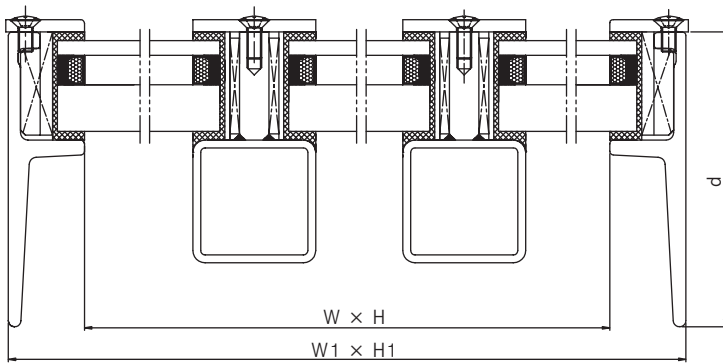


RECTANGULAR WINDOW

1

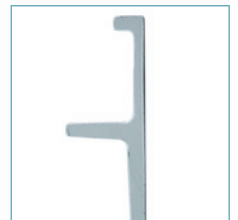
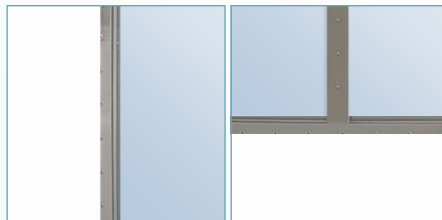
Non-Opening Rectangular Window With 3-Panels



UNIT:mm

DIMENSION TABLE

Nominal Size	W1 x H1	d
W x H	(W+62) x (H+62)	120



Standard Material
Method of fitting
Type
Glass
Accessories

ISO, BSMA & JIS
 Extruded steel main frame / Sus glass retaining frame
 Welded
 Non-opening
 Toughened, Heated, Double glazed, Laminated, etc.
 Roller blind, etc.

