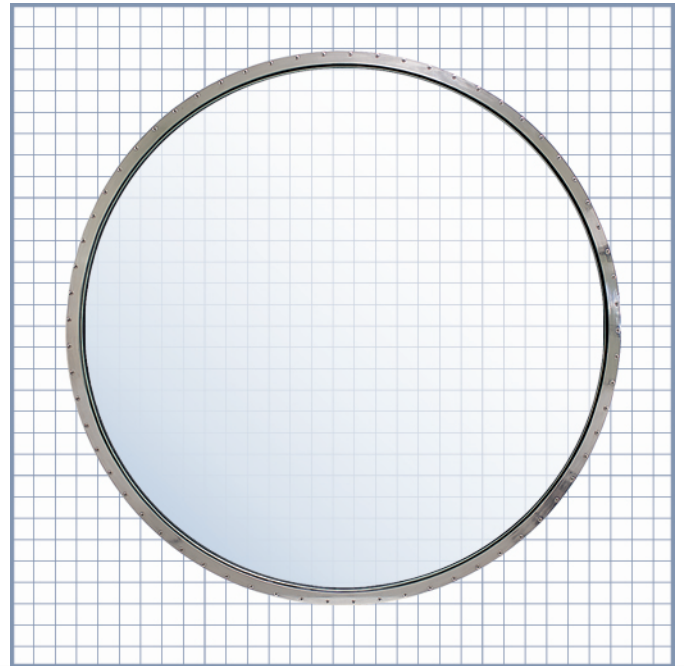
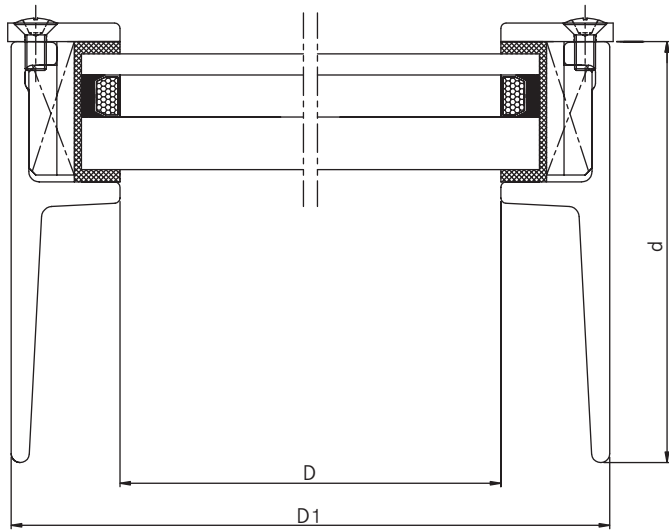


# CIRCULAR WINDOW

1

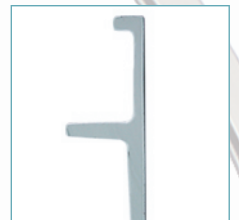
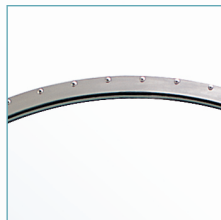
## Non-Opening Circular Window



UNIT:mm

**DIMENSION TABLE**

Nominal Size	D1	d
D	D+62	120



**Standard**  
**Material**  
**Method of fitting**  
**Type**  
**Glass**  
**Accessories**

ISO, BSMA & JIS  
 Extruded steel main frame / Sus glass retaining frame  
 Welded  
 Non-opening  
 Toughened, Heated, Double glazed, Laminated, etc.  
 Roller blind, etc.

