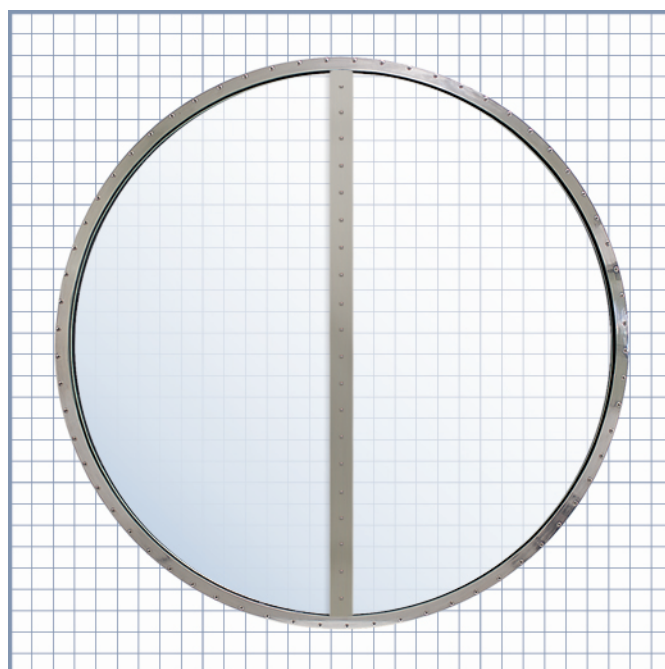
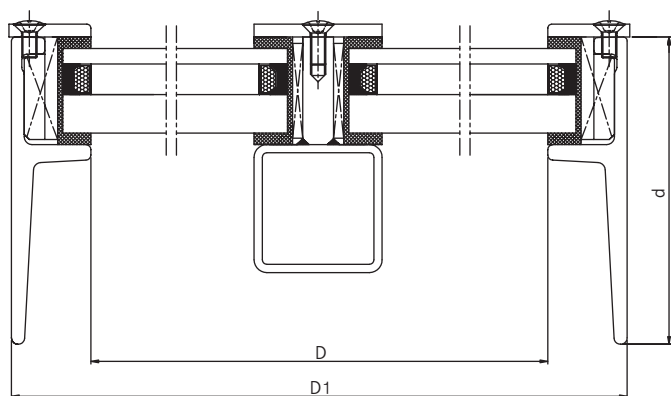


CIRCULAR WINDOW

1

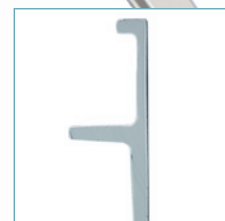
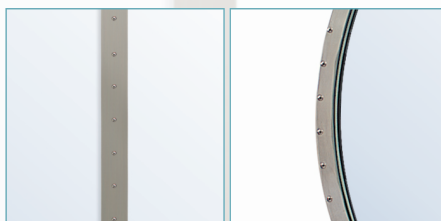
Non-Opening Circular Window With 2-Panels



UNIT:mm

DIMENSION TABLE

Nominal Size	D1	d
D	D+62	120



Standard
Material
Method of fitting
Type
Glass
Accessories

ISO, BSMA & JIS
 Extruded steel main frame / Sus glass retaining frame
 Welded
 Non-opening
 Toughened glass, Heated glass, Double glazed, Laminated, etc.
 Roller blind, etc.

